

Staticmaster®

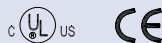
Model 6000 & Model 6055 Power Supplies



The model **6000 and 6055 Power Supplies** are low power, high impedance step-up transformers designed for use with NRD's AC Linear Ionizers and End-of-Line Devices. The unit's potted circuitry provides appropriate power to the ionizer and safety to the end user. The model 6000 power supply is available in 115V and 230V versions. The model 6055 power supply is switchable between 115V and 230V.

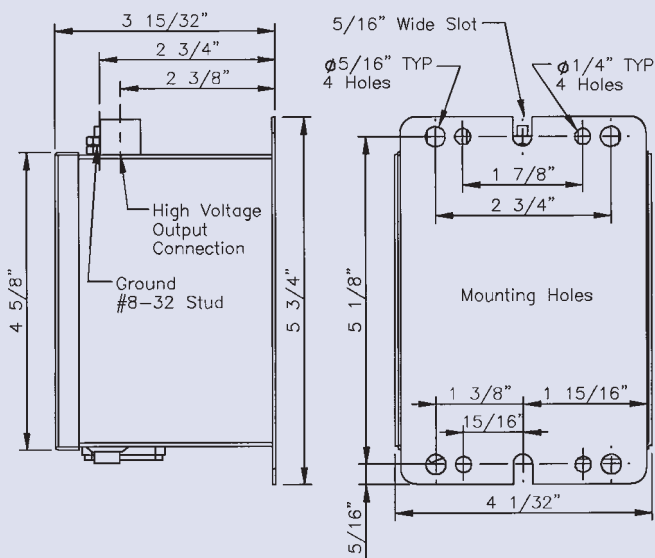
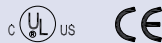
Model 6000-115 Specifications

Type: Low power, high impedance step-up potted transformer
Input Voltage/Frequency: 115 VAC (230 VAC available) 50/60 Hz
Output Voltage: 7.5 kVAC
Input Current: 0.5 amp
Output Current: 0.005 amp
Line Cord: 72 inches, detachable
Weight: 5.75 pounds
Dimensions: 4" x 3.5" x 5.75"
Certifications:



Model 6055 Specifications

Type: Low power, high impedance step-up potted transformer
Input Voltage/Frequency: 115 VAC or 230 VAC, 50/60 Hz
Output Voltage: 5.5 kVAC
Input Current: 0.5 amp
Output Current: 0.005 amp
Line Cord: 72 inches, detachable
Weight: 5.75 pounds
Dimensions: 4" x 3.5" x 5.75"
Certifications:



Notice: NRD warrants that these materials are reasonably fit for the purpose described. We believe that specifications and technical information presented are based on test methods that produce accurate results. The foregoing limited warranty is expressly made in lieu of, and no other express and no implied warranty of merchantability or fitness for a particular purpose is made. NRD, LLC, will not be liable for incidental, consequential, special, exemplary or punitive damages. The limited warranty will not apply to defects or damage due to accidents, neglect, misuse, alterations, error or failure to properly maintain, clean or repair products.



2937 Alt Boulevard / PO Box 310 / Grand Island, NY 14072-0310
TOLL FREE 800 525 8076 / PHONE 716 773 7634 / FAX 716 773 7744 / EMAIL sales@nrdinc.com / WEB www.nrdinc.com