

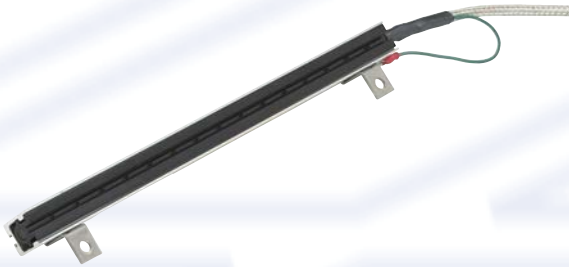
Staticmaster®

Linear Ionizers

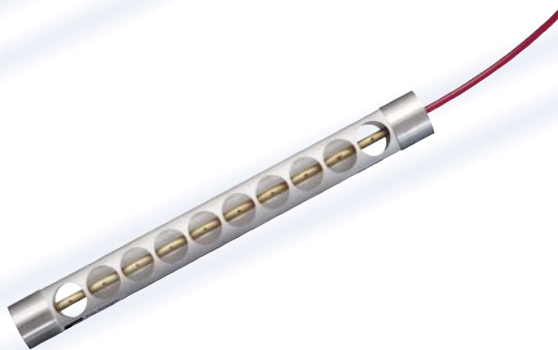
Static electricity build-up in non-conductive materials such as paper, plastics and textiles can cause material jams, clogs, misfeeds, poor stacking and contamination, along with shocks to operators, fires and explosions. Staticmaster Linear Ionizers reduce static problems for higher productivity and improved safety.



The model **6100 EC** is a “shockless” static neutralizing bar. The round body enables users to “aim” the emitter points as needed, and improves mounting flexibility.



The model **6100 ER** is a “shockless” static neutralizing bar is supplied with two (2) #8 sliding mounting studs in a slotted channel for maximum mounting flexibility.



The model **6150 HE** is a high energy linear ionizer that is low cost yet ruggedly built to stand up to the most demanding industrial environments. It is available in 3” increments from 1’ to 12’ in overall length.



2937 Alt Boulevard / PO Box 310 / Grand Island, NY 14072-0310
TOLL FREE 800 525 8076 / PHONE 716 773 7634 / FAX 716 773 7744 / EMAIL sales@nrdinc.com / WEB www.nrdinc.com

Staticmaster[®]

Linear Ionizers

Model 6100 EC Specifications

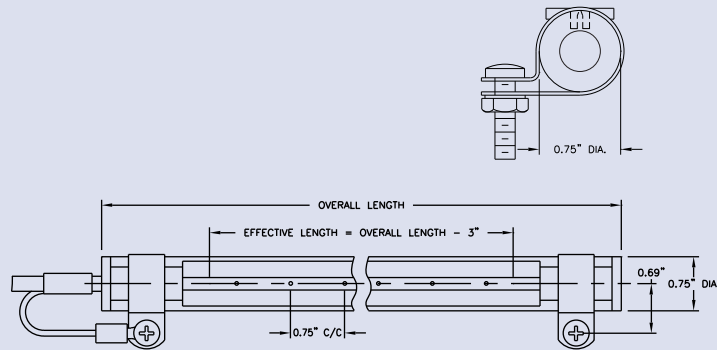
Dimensions: 0.75" diameter x 4.5" to 144" in length

Ionizing point spacing: 0.75" on center

High voltage cable: 30 kVDC, 80°C, UL VW-1
Standard length 72" inside braided shield;
terminated in a user installed spring-loaded
connector to mate with the model 6000 Power
Supply or other compatible power supply

Optimum range: 0.75" to 1.5"

Certifications:



Model 6100 ER Specifications

Dimensions: 0.75" wide x .875" high

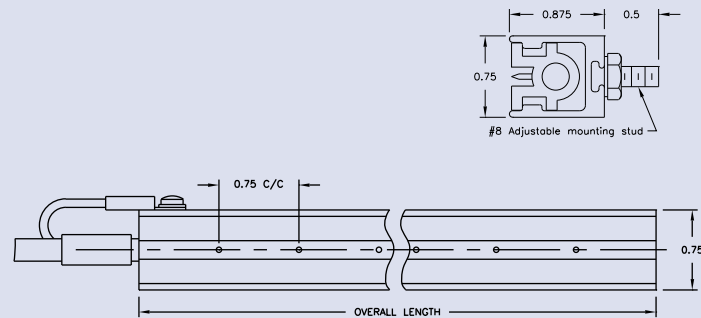
Length: 2" to 144" in length

Ionizing point spacing: 0.75" on center

High voltage cable: 30 kVDC, 80°C, UL VW-1
Standard length 72" inside braided shield;
terminated in a user installed spring-loaded
connector to mate with the model 6000 Power
Supply or other compatible power supply

Optimum range: 0.75" to 1.5"

Certifications:



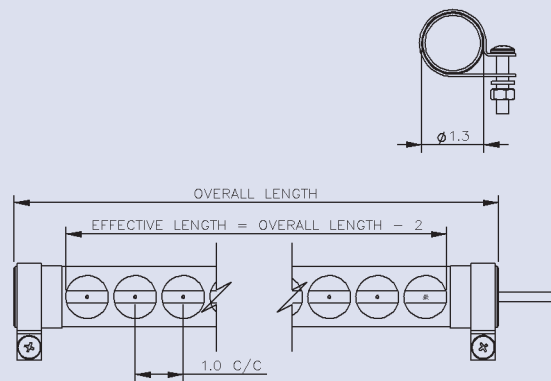
Model 6150 HE Specifications

Dimensions: 1.3" diameter x 12" to 144" in
length (in 3" increments)

Ionizing point spacing: 1" on center

High voltage cable: 40 kVDC, 80°C.
Standard length 72" terminated in a
spring-loaded connector to mate with
the model 6055 Power Supply or other
compatible power supply

Optimum range: 1" to 3"



Notice: NRD warrants that these materials are reasonably fit for the purpose described. We believe that specifications and technical information presented are based on test methods that produce accurate results. The foregoing limited warranty is expressly made in lieu of, and no other express and no implied warranty of merchantability or fitness for a particular purpose is made. NRD, LLC, will not be liable for incidental, consequential, special, exemplary or punitive damages. The limited warranty will not apply to defects or damage due to accidents, neglect, misuse, alterations, error or failure to properly maintain, clean or repair products.



2937 Alt Boulevard / PO Box 310 / Grand Island, NY 14072-0310

TOLL FREE 800 525 8076 / PHONE 716 773 7634 / FAX 716 773 7744 / EMAIL sales@nrdinc.com / WEB www.nrdinc.com