

IONMASTER QMS
"Smart Ionization" Products

In 2019, NRD will be launching a suite of products with many more to come, including options where data is immediately sent back to the NRD "smart" ionizer which is automatically and instantly recalibrated. Watch for details coming soon!

- Handheld with tablet (summer 2019)
- Handheld with controller (fall 2019)
- Handheld with controller and fan (winter 2019)
- In-tool with controller (early 2020)



We've taken INDUSTRY 4.0 to a **whole new level**

WELCOME TO IONIZATION 4.0



Leading the way in
QUALITY MANAGEMENT SOLUTIONS

For 50 years, NRD has earned the trust of organizations worldwide for safe, reliable, innovative solutions for electrostatic concerns. We approach everything with a customer-first attitude, working with each organization to find exactly the right solution for their unique needs.

To learn more about Ionmaster QMS or another NRD product, contact an NRD representative for a consultation at 1-716-773-7634 ext 320 or visit nrdstaticcontrol.com/sales-reps.



1-800-525-8076

nrdstaticcontrol.com



NRDION_021_0619



TECHNOLOGY & LAB



INDUSTRIAL

NRD's Ionmaster™ Quality Management System

is changing the way the world measures ionization performance

IONMASTER QMS ADVANTAGES:

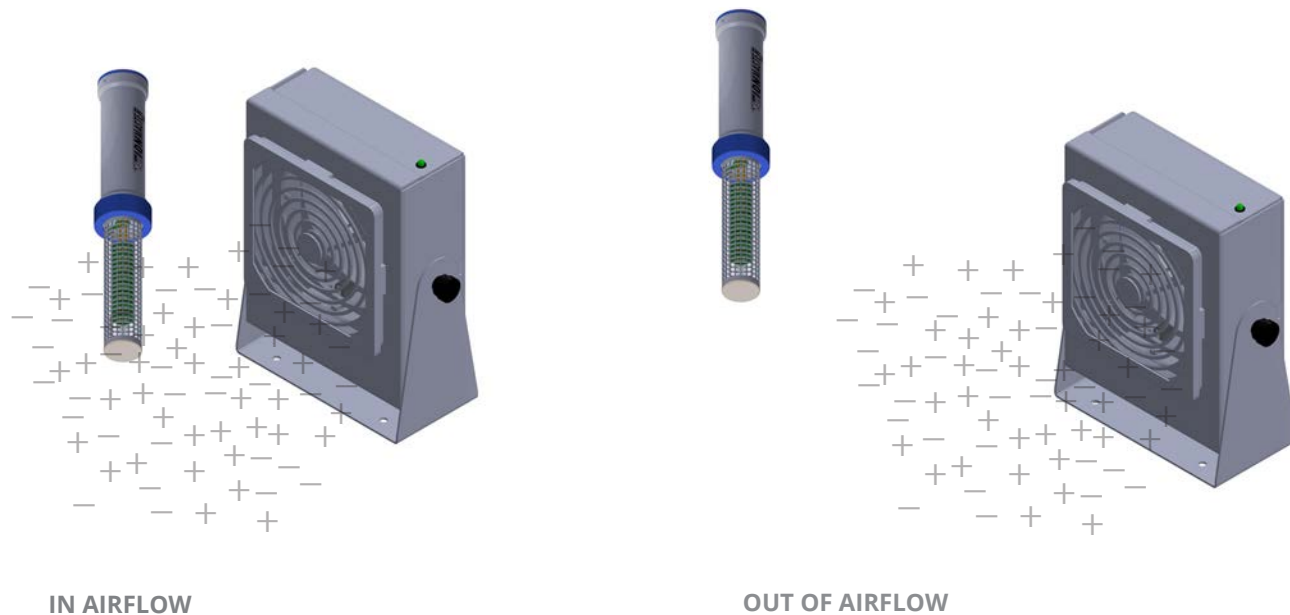
- ✓ Constant monitoring
- ✓ Unparalleled accuracy & sensitivity
- ✓ Flexible and mobile
- ✓ Works at a distance and in/out of airflow
- ✓ Compatible with most ionizers
- ✓ Intuitive controls and software
- ✓ Saves time and money

NRD's Ionmaster QMS is the next generation ionization system, offering continuous monitoring and storage of the real-time, performance characteristic data of your ionizer through intuitive, easy-to-use tools and software, providing critical information to your organization. This is the system you have been waiting for.

This patent-pending, wireless, Ionmaster Quality Management System is the most sophisticated and convenient way to measure ion balance and decay performance characteristics of an ionizer—in real time and with intense accuracy—allowing you to keep your ionizers **and your bottom line** in peak performance.

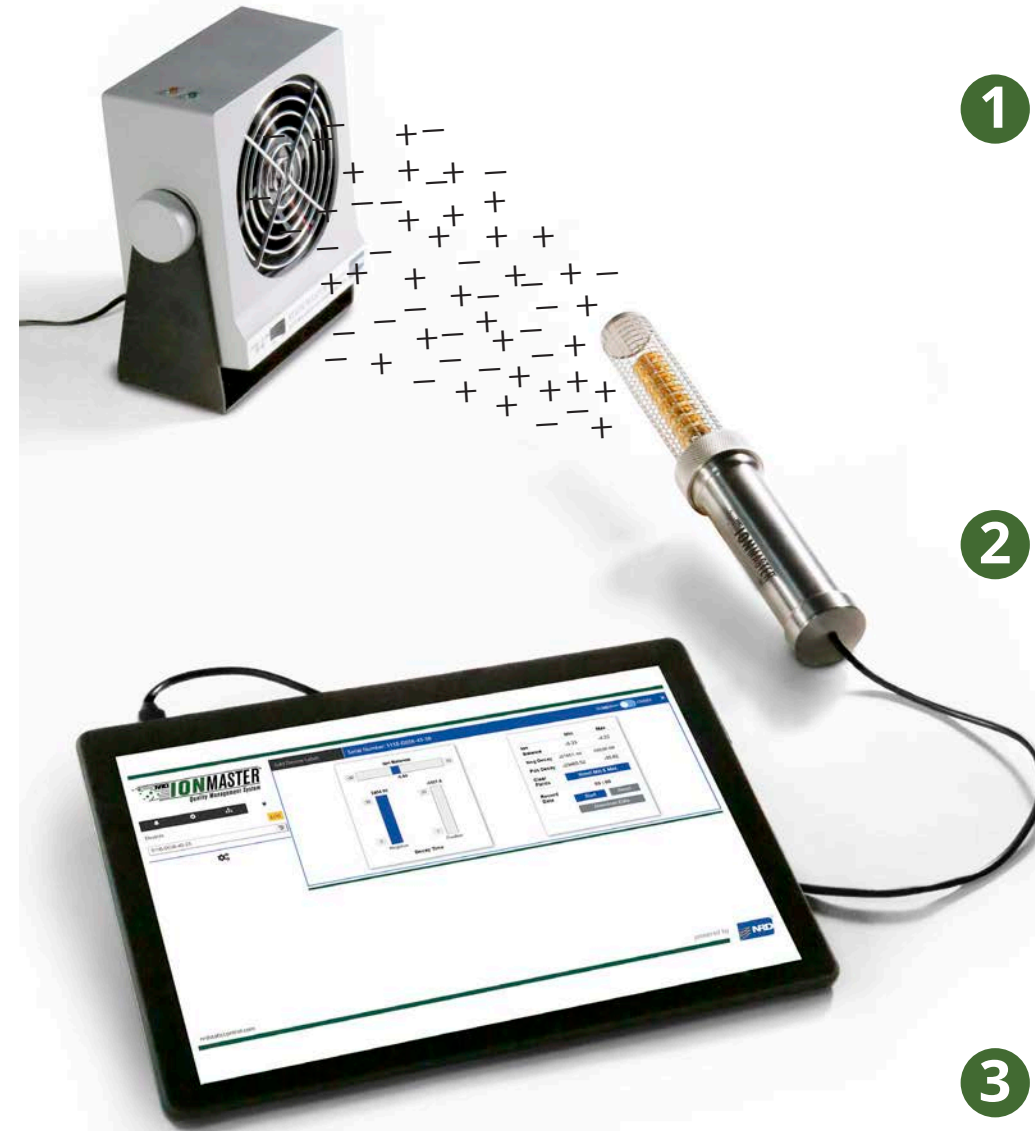
When used with a **corona ionizer**, Ionmaster QMS identifies the exact distance to put the ionizer to determine where the ideal performance characteristics are located. And although **alpha ionizers** are always balanced, Ionmaster provides extra insurance assuring you they are set up properly.

Provides a comprehensive assessment of your ionizer performance



The Ionmaster™ QMS works with NRD and competitive ionizers

removing static in your environment



1 The Ionmaster QMS Sensor sits in proximity to the ionizer to measure ongoing, real-time performance characteristics in the work environment.

2 The Ionmaster QMS Sensor connects directly to the device where data is sent instantly and continuously.

3 Data can be monitored in real time without waiting and/or moving the ionizer to perform manual performance maintenance and determine if the ionizer is in balance.



Look for this Ionmaster seal to find compatible products.

For more information about NRD's Ionmaster QMS or other products and accessories, visit www.nrdstaticcontrol.com.