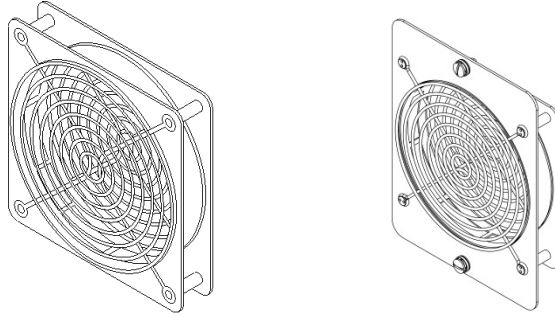


# Instruction Manual for P-2063 Ionizer & Accessories



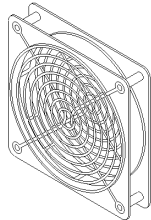
## CONTENTS

1.0 Model P-2063 Ionizer	Page 1
2.0 Accessories	Page 2
2.1 Model 4064 Fan	
2.2 Model 4070 Overhead Ionizing Fan	
3.0 Troubleshooting	Page 3



**NRD USA** / 2937 Alt Boulevard / PO Box 310 / Grand Island, NY 14072-0310  
**PHONE** 716 773 7634 / **FAX** 716 773 7744 / **EMAIL** sales@nrdllc.com / **WEB** www.nrdllc.com  
**NRD Asia Pte. Ltd** / 114 Lavender Street #08-90 CT Hub 2 Singapore 338729  
**PHONE** +65 6679 1707 / **EMAIL** sales@NRDasia.com / **WEB** www.nrdllc.com

## 1.0 P-2063 Ionizer



Part number: P-2063-1000 (AI)



Part number: P-2063-1200 (AI)/P-2063-2200 (SST)  
Used on 4064/4070

The P-2063 Ionizer is used to neutralize static electrical charges in static sensitive operations. The Ionizer is normally placed in an atmospheric pressure air stream so that the airflow delivers ions generated by the Ionizer to the work area. Charged parts that are placed in close proximity to the ion cell can also be effectively neutralized without the need of air movement.

### 1.1 Installation & Operation

- A. One common method to install the P-2063 Ionizer is by using spring clips that will snap on to the posts of the Ionizer. The spring clips can be attached to a mounting base. There are other methods to mounting the cell, but cannot involve modifying the Ionizer.

**Do not alter the P-2063 in any way that may compromise the integrity of the source. Do not drill holes, grind or file, tap holes, etc. to the P-2063.**

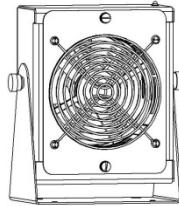
- B. Supply air movement through the ionizer to move the ions to the charged part. A fan or compressed air/nitrogen can be used. For parts that can be placed in close proximity (1”) from the grill openings, air movement may not be needed to effectively neutralize the charged part.



**NRD USA** / 2937 Alt Boulevard / PO Box 310 / Grand Island, NY 14072-0310  
**PHONE** 716 773 7634 / **FAX** 716 773 7744 / **EMAIL** sales@nrdllc.com / **WEB** www.nrdllc.com  
**NRD Asia Pte. Ltd** / 114 Lavender Street #08-90 CT Hub 2 Singapore 338729  
**PHONE** +65 6679 1707 / **EMAIL** sales@NRDasia.com / **WEB** www.nrdllc.com

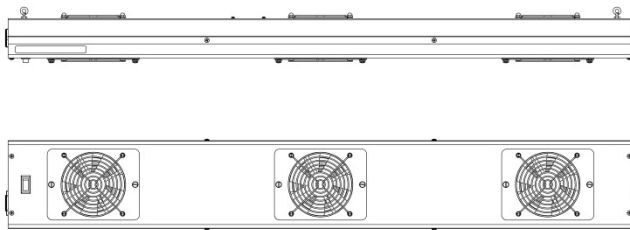
## 2.0 Accessories

### 2.1 Model 4064 Staticmaster Fan



The Model 4064 is used to create airflow through the Ionizer (model P-2063). This system delivers a high volume of ionized air to reduce charge on parts. The Fan is mounted on a swivel base and can be placed on a flat surface or bolted to a rigid surface.

### 2.2 Model 4070 Alpha Staticmaster® Overhead Ionizing Fan



When using the Model 4070, the ideal neutralization time for the target is when it's placed 18" to 36" directly under the ionizing fan and increases as the distance increases

#### Procedure to install a new P-2063 Ionizer:

1. Unplug AC power cord from the electrical outlet.
2. Align and insert  $\frac{1}{4}$  turn fastener, on P-2063 ion cell, into  $\frac{1}{4}$  turn receptacle, in 4064/4070 housing, and turn clockwise to secure in place.
3. Plug AC power cord into an electrical outlet.



**NRD USA** / 2937 Alt Boulevard / PO Box 310 / Grand Island, NY 14072-0310  
**PHONE** 716 773 7634 / **FAX** 716 773 7744 / **EMAIL** sales@nrdlc.com / **WEB** www.nrdllc.com  
**NRD Asia Pte. Ltd** / 114 Lavender Street #08-90 CT Hub 2 Singapore 338729  
**PHONE** +65 6679 1707 / **EMAIL** sales@NRDasia.com / **WEB** www.nrdllc.com

## Maintenance

- The only maintenance required is the annual replacement of the Ionizer to ensure maximum effectiveness of the ionizer. It is required to return the expired device to NRD for proper disposal.
- Calibration is not required.

### 3.0 Trouble Shooting Guide

<u>Symptom</u>	<u>Probable Cause</u>	<u>Corrective Action</u>
1. Static charges are not eliminated	<p>Ion cell may be out of date and need replacement.</p> <p>Possible oil contamination of ion cell.</p> <p>Ions generated are being recombined before they reach the charged surface.</p>	<p>Call NRD for Ion Cell replacement.</p> <p>Return cell to NRD for evaluation. Do not attempt to clean the device.</p> <p>Position the fan closer to the charged part.</p>
2. Fan does not turn on	<p>No power.</p> <p>Blown fuse internal to fan.</p>	<p>Check outlet and breakers.</p> <p>Check for visible damage to power cord. Return fan to NRD for evaluation.</p>



**NRD USA** / 2937 Alt Boulevard / PO Box 310 / Grand Island, NY 14072-0310  
**PHONE** 716 773 7634 / **FAX** 716 773 7744 / **EMAIL** sales@nrdllc.com / **WEB** www.nrdllc.com

**NRD Asia Pte. Ltd** / 114 Lavender Street #08-90 CT Hub 2 Singapore 338729  
**PHONE** +65 6679 1707 / **EMAIL** sales@NRDasia.com / **WEB** www.nrdllc.com