

Staticmaster® Small Ionizer Fan



TECHNOLOGY
& LAB



INDUSTRIAL

MODEL NUMBER 6216

CORONA



The Staticmaster® Small Ionizing Fan produces an airflow of both positive and negative ions. Directing the airflow of the blower onto an object that has a static charge will neutralize the charge.

Slightly larger than its sister Mini Model 6213, The Model 6216 is also easily portable and uses a small fan to produce airflow. The volume of airflow is controlled by a seven-speed control switch, which provides a wide range of airflow settings. To assure that the unit is working properly, the high voltage is monitored by an ionization indicator lamp. This fan also **features a built-in emitter point cleaner to simplify the maintenance process and help keep the unit in peak working condition.**

The Small Ionizing Fan was designed for use with sensitive electronic components, where electrostatic discharge is an issue. This Model 6216 can also be used in other situations where static electricity poses a challenge such as, attraction of dirt to product, misalignment of small parts due to electrostatic "jumping" and undesirable adhesion of plastic films.

APPLICATIONS

- PCB, electronic assembly, pharmaceutical manufacturing, medical device assembly, packaging and small product molding

FEATURES

- Auto ion balance
- Ionization indicator light
- Adjustable air volume and fan direction
- Built-in emitter point cleaner

BENEFITS

- Easy installation on surface or wall
- Easily rotated for targeted ionization
- Reliable ionization using indicator lights
- Simplified maintenance process

EVERY SITUATION IS UNIQUE. SO IS EVERY SOLUTION.®

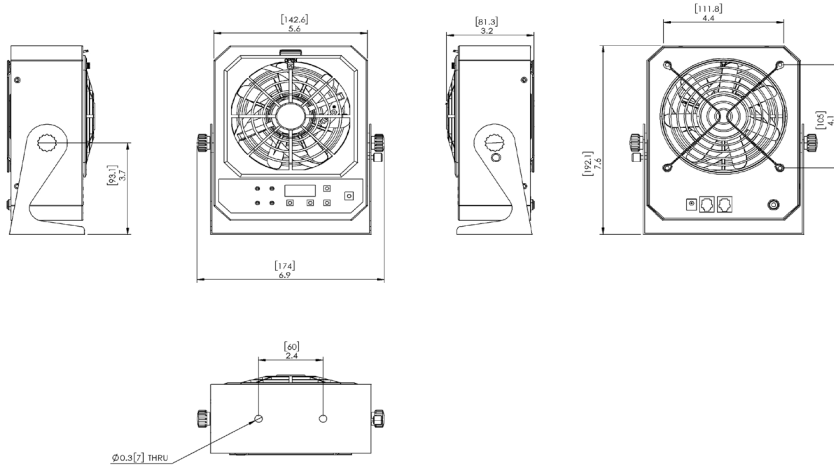


Staticmaster® Small Ionizer Fan

MODEL NUMBER 6216

CORONA

SCHEMATICS



SPECIFICATIONS

Alarm Function: Ionization Indicator Lamp

Balance: ± 10 V

Dimensions: 3.2in W x 7.6in H x 6.9in L
(81.3mm x 192.1mm x 174mm)

Emitter Point: Tungsten

Finish: ABS

Operating Humidity: 15 -75 %

Operating Voltage: 24 V DC

Power Supply Input Voltage: 120 V DC

Technology: Corona

Weight: 3.3 lbs. (1.5 kg)

DECAY RATE: 2.2 seconds (± 1000 to 100V),
ANSI/ESD Association STM 3.1 @ 1 foot,
center

MAINTENANCE

It is necessary to clean and balance ionizer regularly. Clean emitter points as needed.

NOTICE: NRD expressly warrants that, for a period of one (1) year from the time of purchase, the ionizer will be free of defects in material (parts) and workmanship (labor).

NRD, LLC USA

800-525-8076
716-773-7634
Sales@NRDUSA.com
2937 Alt Boulevard
PO Box 310
Grand Island, NY
14072-0310 USA

NRD Asia Pte. Ltd.

+65 6679 1707
Sales@NRDAsia.com
114 Lavender Street
#08-90 CT Hub 2
Singapore 338729

To learn more, contact an NRD representative for a consultation at
1-800-525-8076 or visit **nrdstaticcontrol.com**.

