

Staticmaster® End-of-Line Ionizer



TECHNOLOGY
& LAB



INDUSTRIAL



AUTOMOTIVE

MODEL P-2031

ALPHA

The Staticmaster End-of-Line Alpha Ionizers are designed to deliver higher volumes of airflow with lower pressure than the standard P-2021. The Model P-2031 is ideally suited for removing static charges in storage containers and hoppers, such as those used in the recycling of plastic scrap or pelletizers where a large area of coverage is required.

The P-2031 ionizers can be operated continuously or intermittently, with gas flow in either direction, and are safe in volatile and explosive environments. These ionizers are easy to install on any clean, dry compressed air or inert gas line, and emit a powerful stream of ions to quickly neutralize electrostatic charges. The ion stream is balanced as it leaves the cell, removing particles clinging to surfaces and eliminates electrostatic re-attraction of contaminants.

The Staticmaster End-of-Line Alpha Ionizers are offered in both stainless steel housing (Model P-2031-2000) and aluminum housing (Model P-2031-1000) options.

APPLICATIONS

- Plastics manufacturing, coatings, injection molding, explosive environments

FEATURES

- High volume of ionized air at low pressure
- No external power supply
- Aluminum and stainless steel housing options

BENEFITS

- Safe and easy to install and relocate
- Ions constantly balanced at nozzle
- Inherently safe in flammable and explosive environments
- No calibration needed

EVERY SITUATION IS UNIQUE. SO IS EVERY SOLUTION.®

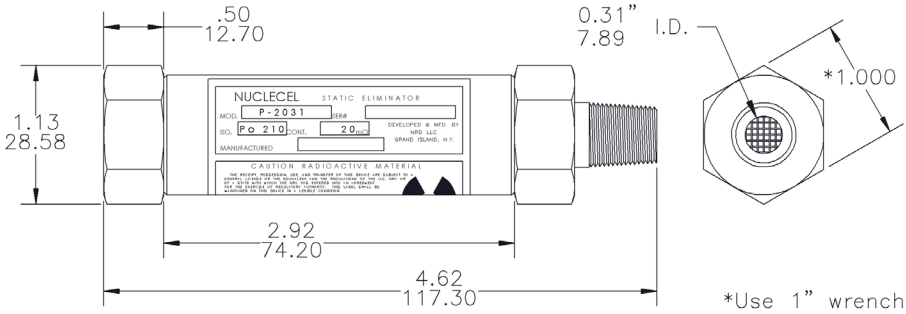


Staticmaster™ End-of-Line Ionizer

MODEL P-2031

ALPHA

SCHEMATICS



SPECIFICATIONS

Activity: 20 mCi (740 MBq)

Balance: ±0 V

Dimensions: 1.125in W x 4.62in L (28.58 mm x 117.3 mm)

Diameter: 1in (25.4 mm)

Enclosure (MODEL P-2031-1000):

Aluminum housing

Enclosure (MODEL P-2031-2000): 316

Stainless housing

Gas Input: <35 psi (Max 100 psi) Clean Dry Air (CDA) or Nitrogen

Line Connection: 1/4 in NPT male & female

Technology: Alpha

Weight (MODEL P-2031-1000): 3.5 oz (100 g)

Weight (MODEL 2031-2000): 10 oz (286 g)

DECAY RATE:

1 second (±1000 to 100V), ANSI/ESD Association STM 3.1 @30psi, 6 inches

ACCESSORIES



Mounting Clip
Model MC2031

MAINTENANCE

It is necessary to replace ionizers every 12 months to maintain peak effectiveness.

NOTE ON ION SOURCE: All NRD ion sources are encapsulated in precious metals by means of a special process. This results in a static eliminator which, unlike competitive products, resists oxidation, solvents, heat, cold and vibration.

NOTICE: NRD expressly warrants that, for a period of one (1) year from the time of purchase, the ionizer will be free of defects in material (parts) and workmanship (labor).

NRD, LLC USA

800-525-8076
716-773-7634
Sales@NRDUSA.com
2937 Alt Boulevard
PO Box 310
Grand Island, NY
14072-0310 USA

NRD Asia Pte. Ltd.

+65 6679 1707
Sales@NRDAsia.com
114 Lavender Street
#08-90 CT Hub 2
Singapore 338729

To learn more, contact an NRD representative for a consultation at **1-800-525-8076** or visit **nrdstaticcontrol.com**.

